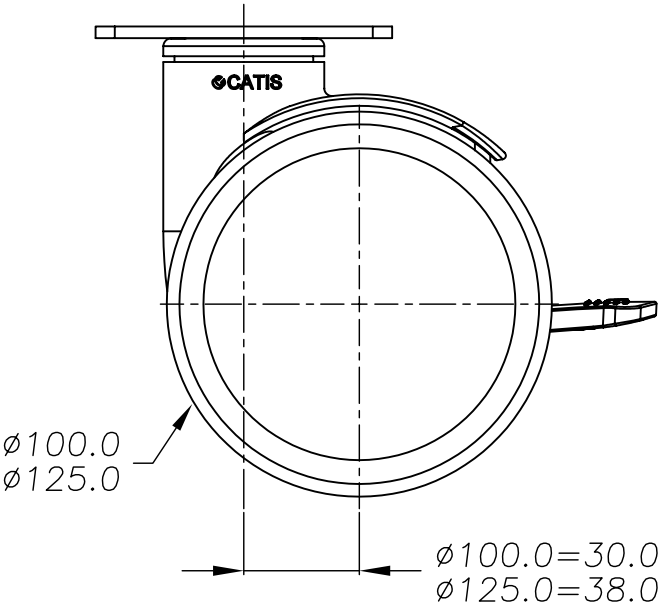
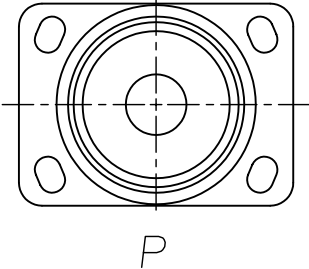


Mounting fitting:



$\phi 100.0 = 122.0$
 $\phi 125.0 = 145.0$
 $\phi 100.0 = 126.0$ (P1 PLATE)
 $\phi 125.0 = 149.0$ (P1 PLATE)

